

A

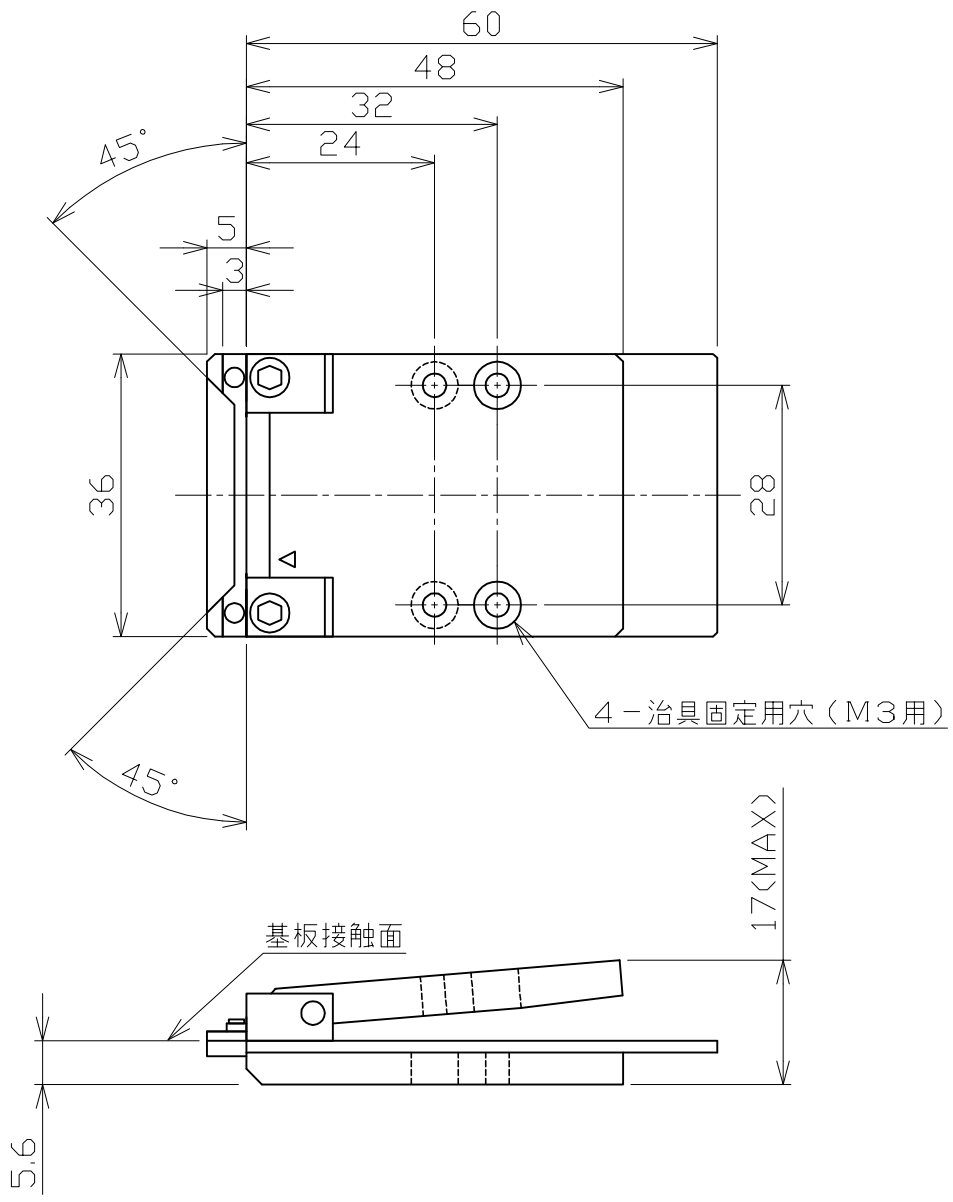
B

C

D

E

F



※寸法採寸不可

A4	FMG-40-0.5-FP5.dwg					
No.	Name		Standard	Material	Quantity	Note
△			Filename	Part Name		FMG-40-0.5-FP5
△			Date	2014/08/01	Machine Name	
△			Scale	①	フレキランパ	
△			Designed by	Checked by	Approved by	Part No.
△						本体外形図
△			 14.08.01 真壁		株式会社システム計測	
△						
RevNo.	Date	Revision note	Signature			