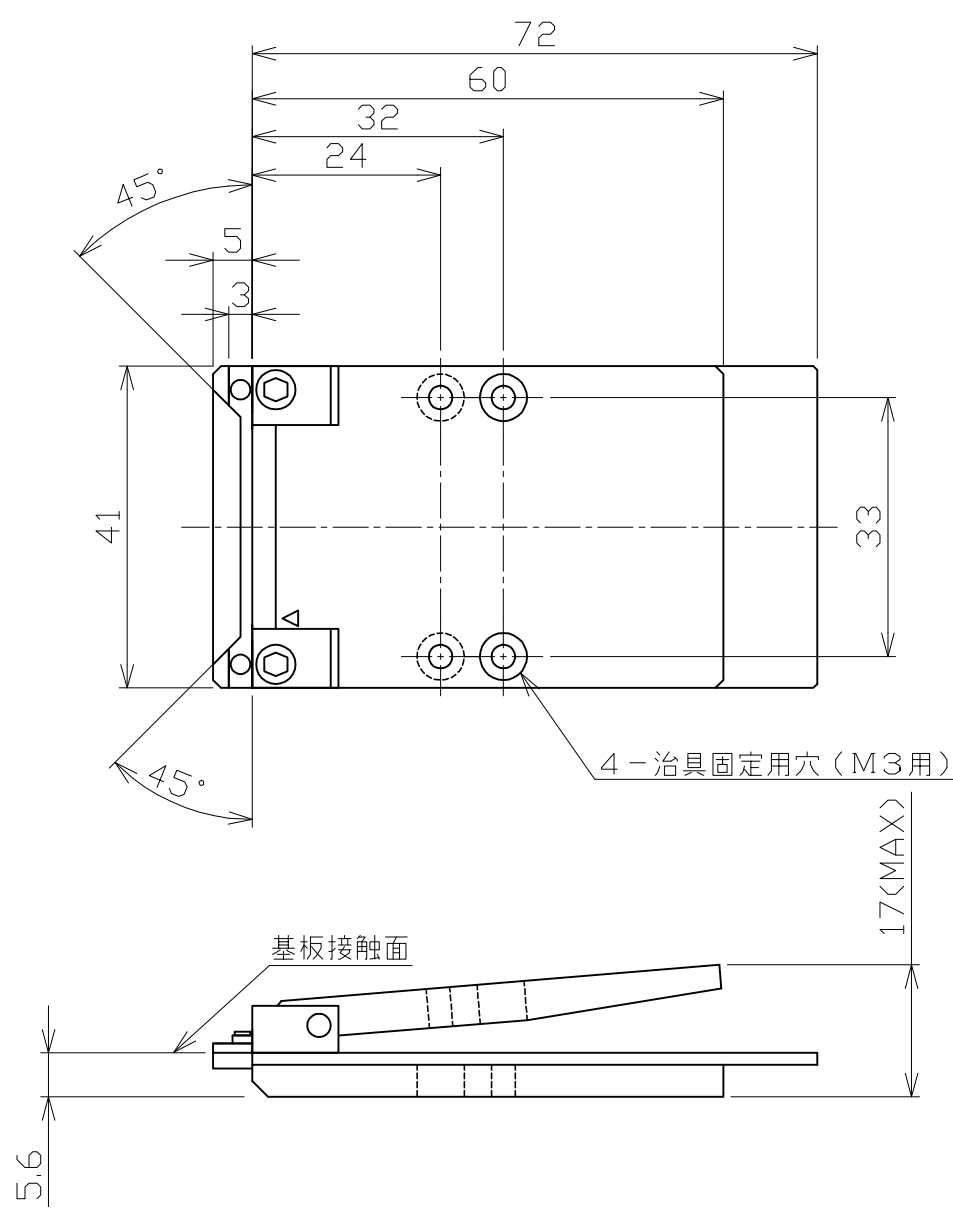


A
B
C
D
E
F



※寸法採寸不可

| A4 | FMG-50-0.5-DS.dwg | | | | | |
|--------|-------------------|---------------|--------------------|------------|-------------------------|------------|
| No. | Name | | Standard | Material | Quantity | Note |
| △ | | | Filename | | Part Name FMG-50-0.5-DS | |
| △ | | | Date | | Machine Name フレキクランプ | |
| △ | | | Scale | | Part No. 本体外形図 | |
| △ | | | Designed by | Checked by | Approved by | 株式会社システム計測 |
| △ | | | 14.08.01 真壁 | | | |
| △ | | | | | | |
| RevNo. | Date | Revision note | Signature | | | |