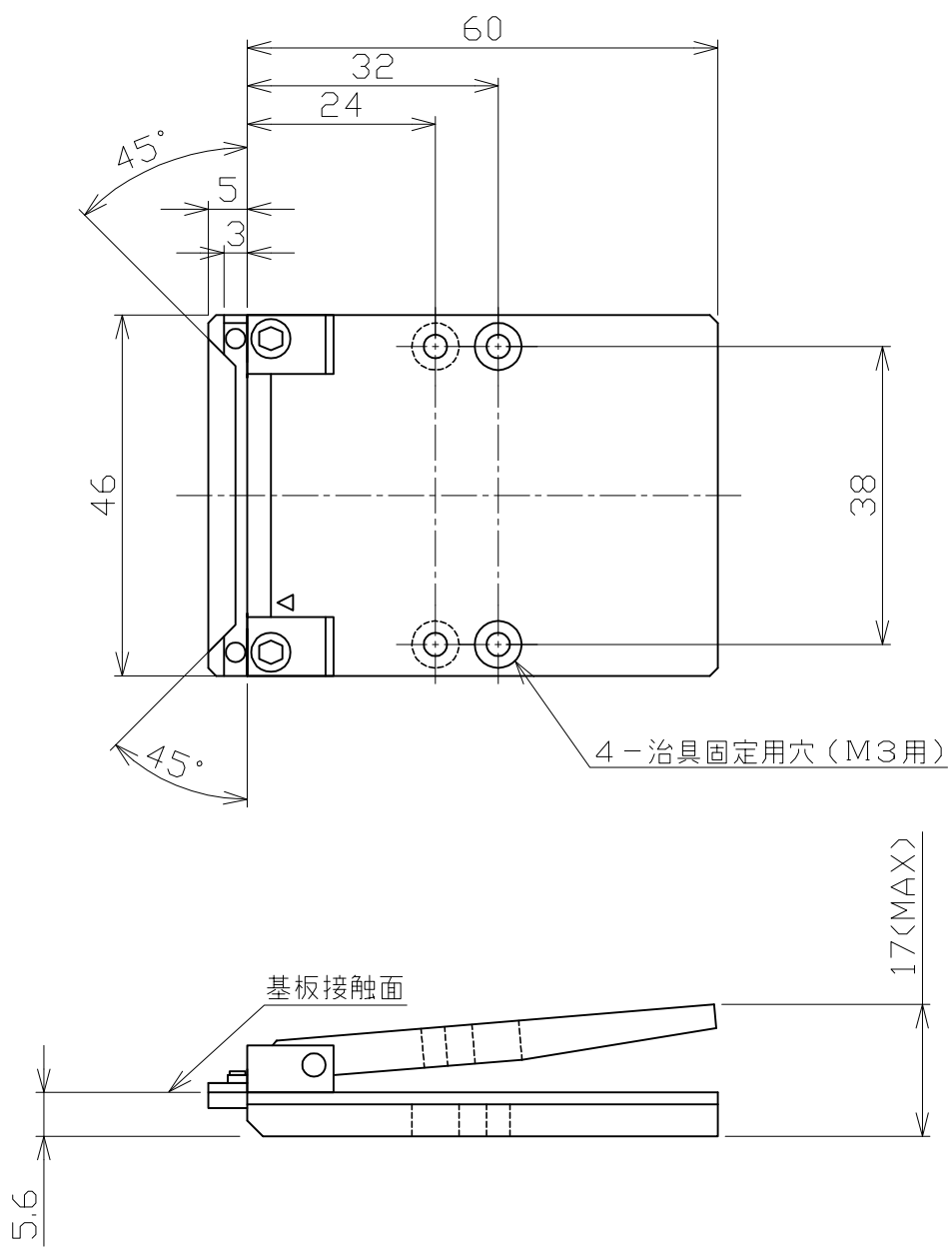


A  
B  
C  
D  
E  
F



※寸法採寸不可

A4	FMG-60-0.4-FX.dwg					
No.	Name		Standard	Material	Quantity	Note
△			Filename		Part Name	FMG-60-0.4-FX
△			Date	2014/08/01	Machine Name	フレキクランプ
△			Scale	⊕	Part No.	本体外形図
△			Designed by	Checked by	Approved by	
△					株式会社システム計測	
△						
RevNo.	Date	Revision note	Signature			