

A

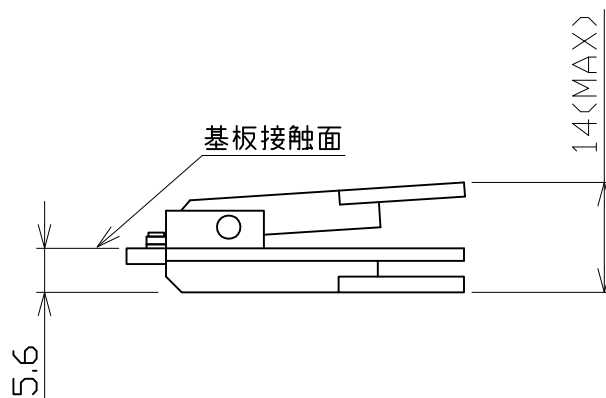
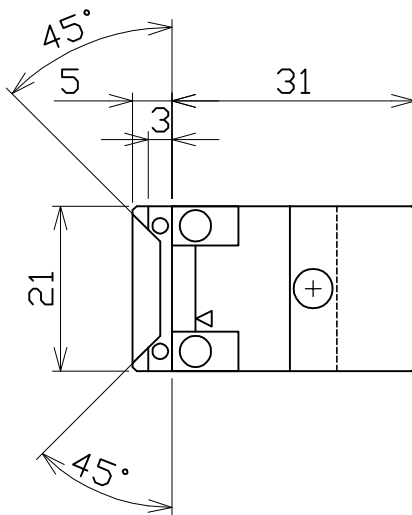
B

C

D

E

F



※寸法採寸不可

A4	FMGS-20-0.5-FP5.dwg					
No.	Name		Standard	Material	Quantity	Note
△				Filename	Part Name FMGS-20-0.5-FP5	
△				Date	2014/08/01	
△				Scale	Machine Name フレキランパ	
△				Designed by	Checked by	Approved by
△				Part No. 本体外形図		
△				株式会社システム計測		
△						
RevNo.	Date	Revision note	Signature			