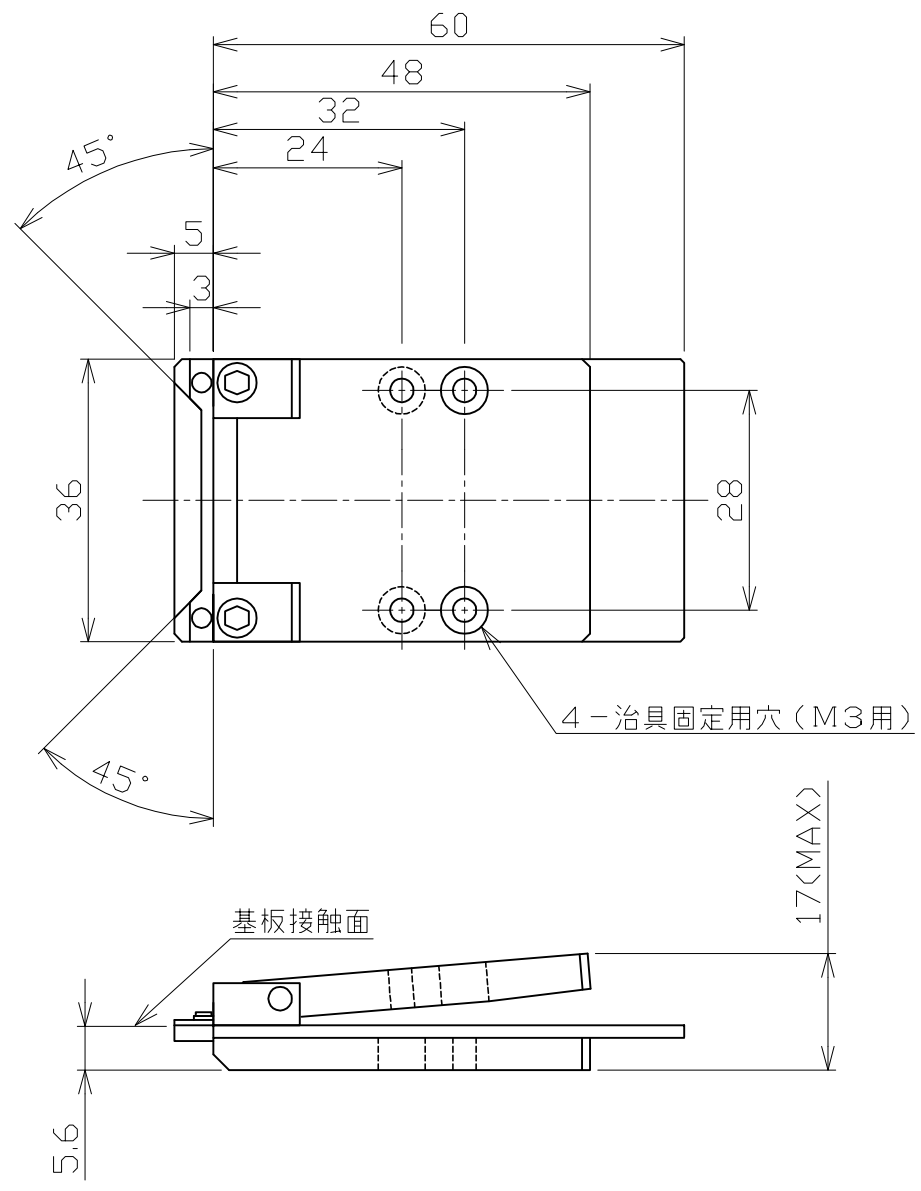


A
B
C
D
E
F



※寸法採寸不可

A4	FMG-101-0.2-FP2.dwg					
No.	Name		Standard	Material	Quantity	Note
△			Filename		Part Name	FMG-101-0.2-FP2
△			Date	2014/08/01	Machine Name	フレキランパ
△			Scale	1:1	Part No.	本体外形図
△			Designed by	Checked by	Approved by	
△					株式会社システム計測	
△						
RevNo.	Date	Revision note	Signature			